

BULLET IR CAMERA

EGPIS-HDV2137D



Key Features

- 1/3" 2.1 Megapixel Sony HD Image Sensor
- 2DNR/3DNR LEVEL(0~100) Adjustment / SMART NR
- 0.02Lux (SENS-UP x30)

WARRANTY

Warranty Period : 2 year

Product	HD-SDI BULLET CAMERA	Model	EGPIS-HDV2137D
		Serial No.	
Purchase	(Year) (Month) (Date)	Customer	
Address	(TEL.)		
Dealer		Representative	

- ▶ We guarantee this product according to consumer injury compensation rule.
- ▶ Please contact purchasing office or service center when you find any damage or problem with this product.
- ▶ The warranty period is 2 year.

◆A/S without cost◆

	Type of damage	Warranty details	
		Within warranty	After Warranty
When damages occurred in normal working environment	Serious damage within 10 days from purchase	Product	
	Serious damage within 1 month from purchase	A/S without cost	
	Serious damage within 1 month from exchange		
	Not available for exchange	Product exchange	
	Not available for repairment		

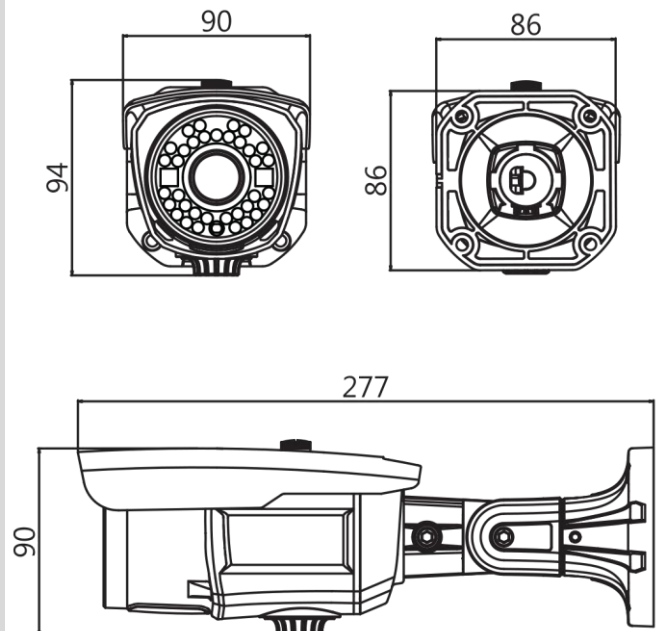
◆A/S with cost◆

	Damage by customer's negligence	Warranty details
chargeable case even within warranty	1. Damage by customer's careless handling 2. Damage by natural disaster (Fire, Flood, etc.) 3. Damage by not keeping the cautions and instructions on manual 4. Damage by not using appointed power(frequency, voltage) or adapter. 5. Damage by disassemble or cleaning by customer 6. Damage by repairment by a person excepting the dealer	A/S with cost

SPECIFICATION

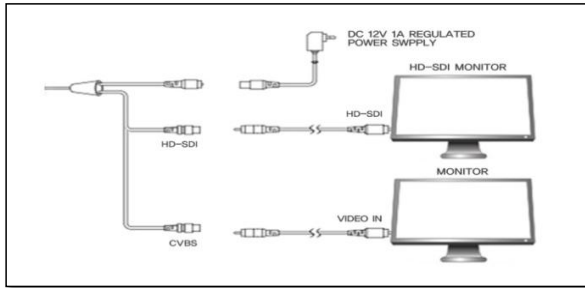
DESCRIPTION	NTSC	PAL
Image Sensor	1/3" 2.1 Megapixel Sony HD Image Sensor	
Effective Pixels	1936(H) x 1097(V)	
Scanning System	Progressive	
Video Output	1XHD-SDI, 1XBNC, 75Ω composite	
S/N Ratio	More than 50dB	
Min. Illumination	0.02Lux (SENS-UP x30)	
IRIS Adjustment	DC / MANUAL	
Lens	3~11mm DC IRIS MEGAPIXEL LENS (ICR TYPE)	
Electronic Shutter	OFF/AUTO(1/30~1/50,000)FLK MANUAL(x2~x30)	OFF/AUTO(1/25~1/50,000)FLK MANUAL(x2~x30)
OSD Language	ENG / CHN1 / CHN2 / JPN	
Backlight Compensation	OFF / BLC / HSBC	
Day&Night	Auto / EXT / B/W(IR SMART) / COLOR	
Auto Gain Control	Low / Middle / High	
White Balance	AWC→SET KEY / MANUAL- BLUE,RED(1~100) / INDOOR / OUTDOOR	
Privacy Masking	On / Off (Programmable 8 zones)	
DNR	2DNR/3DNR LEVEL(0~100) Adjustment / SMART NR	
ACCE	OFF / LOW / MIDDLE / HIGH	
DEFOG	Low / Middle / High / Off	
Digital Zoom	OFF/ON (x2 ~ x62) / OFF	
SENS-UP	OFF / x2~x30	
Motion	3 AREA	
Digital Effect	OFF / V-FLIP / MIRROR / ROTATE	
DEFECT	LIVE DPC (ON, OFF, AUTO)	
Communication	RS 485 (OPTIONAL)	
IR LED	5PIE: 35EA / Pearl LED: 2EA	
Input Voltage	DC 12V(±10%)	
Power Consumption	IR OFF : 250mA(MAX) / IR ON : 800mA(MAX)	
Operating Temp. / Hum.	-10°C~ +50°C / MAX 90% RH	
Storage Temp. / Hum.	-20°C~ +60°C / MAX 90% RH	

DIMENSION



CONNECTION OF CAMERA

- ◆ Please connect video output of a camera with video input of a monitor or other devices. In case of connecting more than two monitors, just set turning on 75 ohm switch of last monitor. please choose a proper cable as following connected device and distance.
- ◆ Do not turn on a power before you finish to connect the camera with all devices.
- ◆ The power adaptor must be more than DC12V 1A.



HD-SDI CONNECTION (STANDARD)

CAUTION IN INSTALLATION

- ♣ Assemble the main body of the camera with lens quickly at a clear place to avoid dust.
- ♣ Be careful not to drop this camera and not to impact on it. CCTV camera is a precision machine.
- ♣ Do not install the camera opposite of the sun so that it be avoided direct light.
- ♣ Do not pull the cable. If you pull the cable, it will make electrical problems such as disconnection.
- ♣ Do not try to fix even if the camera does not work.
- ♣ Installation this camera at safety place where is no water. If the camera has some problems with water accidentally. You have to contact A/S centre that sold the camera to you.
- ♣ The camera should be worked within a range of the allowable temperature that refers to specification.
- ♣ If you would like to relocate the already installed product, be sure to turn off the power and then move or reinstall it.
- ♣ Please contact the nearest A/S centre if you find out any Problems. Please do not ignore any small problems they can become a big problem.

MENU	SUB MENU 0	SUB MENU 1	SUB MENU 2	SUB MENU 3	SUB MENU 4
1. LENS	MANUAL	-	-	-	-
	DC	MODE	INDOOR	-	-
		RETURN	OUTDOOR	-	-
		AUTO	RET/END	-	-
	SHUTTER		1/30,1/60,FLK,1/250,1/500,1/1000,1/2000,1/5000,1/10000,1/50000	-	-
		X2-X30	-	-	-
		HIGH	-	-	-
		AGC	MIDDLE	-	-
	SENS-UP	AUTO	SENS-UP	X2-X30	-
		RETURN	RETURN	RET	-
END		END	END	-	
BRIGHTNESS	OFF	-	-	-	
	(1-100)	-	-	-	
	ACCE	LOW	-	-	
DEFOG	MIDDLE	-	-	-	
	HIGH	-	-	-	
	OFF	-	-	-	
2. EXPOSURE	ACCE	LOW	-	-	
		MIDDLE	-	-	
		HIGH	-	-	
	DEFOG	LOW	-	-	
		MIDDLE	-	-	
		HIGH	-	-	
	OFF	-	-	-	
		BACKLIGHT	BLC	MIDDLE	-
		GAIN	LOW	-	
	AREA(SETTING)	AREA3	HIGH	-	
DEFAULT(SETTING)		-	-		
RETURN		RET	-		
HSBLC	SELECT	AREA1	END	-	
	AREA2	-	-		
	AREA3	-	-		
DISPLAL	ON	AREA4	-		
	DISPLAL	OFF	-		
	LEVEL	1-100	-		
MODE	ALL DAY	-	-		
	RIGHT	-	-		
	BLACK MASK	ON	-		
DEFAULT	OFF	-	-		
	RETURN	RET	-		
	END	END	-		
3. WHITE BAL	MANUAL	OFF	-		
	INDOOR	BLUE	1-100		
	AWC->SET	RED	1-100		
4. DAY&NIGHT	EXT	RETURN	RET	-	
	DELAY	END	END	-	
	D->N(AGC)	1-60	-		
B/W	N->D(AGC)	1-100	-		
	RETURN	RET	-		
	END	END	-		
5. NR	3DR	ON	S-LEVEL	1-100	
	LEVEL	0-100	E-LEVEL	1-100	
	RETURN	RET	RETURN	RET	
6. SPECIAL	CAM TITLE	OFF	-	-	
	ON	SETTING	-	-	
	ON	SETTING	-	-	

MENU	SUB MENU 0	SUB MENU 1	SUB MENU 2	SUB MENU 3	SUB MENU 4
6. SPECIAL	D-EFFECT<-J	FREEZE	ON/OFF	-	-
		MIRROR	OFF,ROTATE,V-FLIP,MIRROR	-	-
		OFF	-	-	
	D-ZOOM	ON	PIP	ON/OFF	-
		D-ZOOM(X2.0-X6.2)	PAN&TILT	SET	-
		DEFAULT	RETURN	RET	END
	NEG.IMAGE	OFF/ON	-	-	
		RETURN	RET	-	
		END	END	-	
	MOTION	OFF	SELECT	AREA(1-3)	-
ON		DISPLAY	OFF	-	
SENSITIVITY		MOTION VIEW	0-60	SETTING	
PRIVACY	OFF	RETURN	ON/OFF	-	
	ON	SELECT	AREA(1-8)	-	
	DISPLAY	COLOR	1-16	SETTING	
6. SPECIAL	PRIVACY	ON	RETURN	RET	END
	LANGUAGE	ENG,CHN1,CHN2,JPN	-	-	
	DEFECT	LIVE DPC	ON/OFF/AUTO	-	
6. SPECIAL	DEFECT	LEVEL	0-60	-	
		STATIC DPC	ON/OFF	-	
		START<-J	-	-	
	RS485	LEVEL	0-60	-	
		SENS-UP	X2-X30	-	
		RETURN	RET	-	
	VERSION(120320)	CAM ID	END	-	
		ID DISPLAY	0-255	-	
		BAUDRATE	ON<-J 위치조정	-	
	SHARPNESS	RETURN	2,400,480,096,001,92	-	
0.000,000		RET	-		
END		END	-		
7. ADJUST<-J	MONITOR	RETURN	RET	-	
		GAMMA	AUTO	-	
		USER1	USER2	-	
MONITOR	LCD	0.45,0.50,0.55,0.60,0.65,0.75,0.80,0.85,0.90,0.95,1.00	-		
	BLUE GAIN	0-100	-		
	RED GAIN	0-100	-		
7. ADJUST<-J	OSD	RETURN	RET	-	
		BLACK LEVEL	(-30-+30)	-	
		BLUE GAIN(0-100)	RET	-	
8. RESET	RETURN	RED GAIN(0-100)	RET	-	
		END	END	-	
		TEXT COLOR	1-8	-	
9. EXIT<-J	RETURN	OUTLINE	ON	-	
		OUTLINE	OFF	-	
		RETURN	RET	-	
8. RESET	RETURN	END	END	-	
		FACTORY	RESET<-J	-	
		RET	RET	-	
9. EXIT<-J	RETURN	END	END	-	
		NTSC/PAL	NTSC/PAL	-	
		RETURN	RET	-	
8. RESET	RETURN	RESET<-J	RET	-	
		RET	RET	-	
		END	END	-	